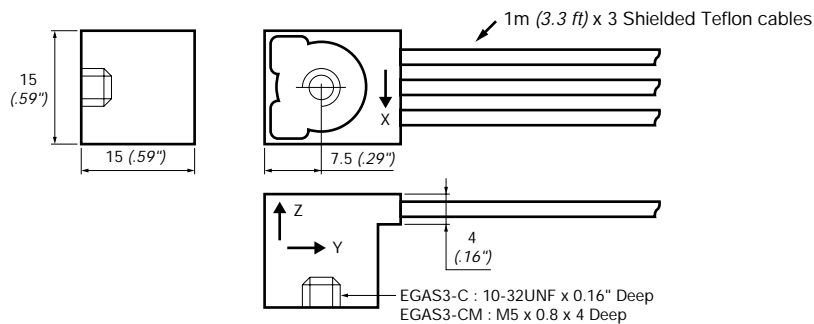


Specifications



TRIAXIAL EGAS3

EGAS3-C & EGAS3-CM

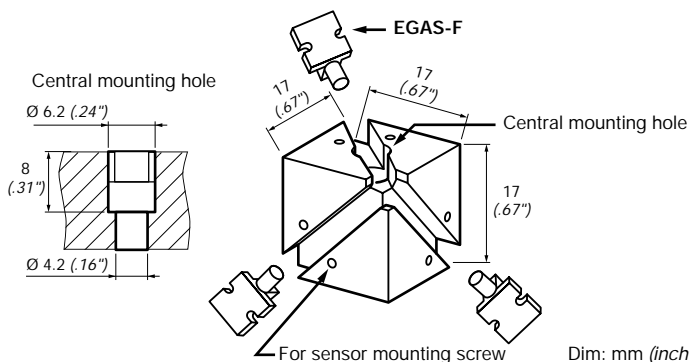
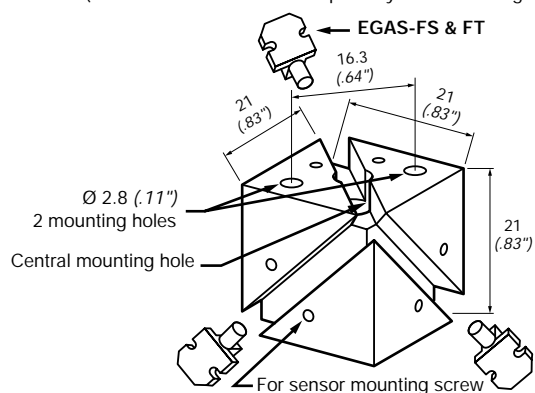


Dim: mm (inches)

Triaxial Mounting Blocks for up to 3 Single Axis EGAS

MTG-F2 (Purchase Accelerometers separately from mounting blocks)

MTG-F3 (Purchase Accelerometers separately from mounting blocks)



Dim: mm (inches)

EGAS3 Multiaxial Series - Specifications for each individual axis

g RANGES "FS"	g OVERRANGE LIMIT	FREQUENCY RESPONSE $\pm 1/2$ dB nom./min.	NATURAL FREQUENCY nom.	SENSITIVITY mV/g nom.	OUTPUT "FSO" mV nom.
± 5	± 500	0 to 150/80 Hz	300 Hz	20	± 100
± 10	± 1000	0 to 200/120 Hz	400 Hz	10	± 100
± 25	± 2500	0 to 400/240 Hz	800 Hz	4	± 100
± 50	± 5000	0 to 600/350 Hz	1200 Hz	2	± 100
± 100	± 10000	0 to 900/500 Hz	1800 Hz	1	± 100
± 250	± 10000	0 to 1300/750 Hz	2600 Hz	0.4	± 100
± 500	± 10000	0 to 1750/1000 Hz	3500 Hz	0.2	± 100
± 1000	± 10000	0 to 2500/1500 Hz	5000 Hz	0.1	± 100
± 2500	± 10000	0 to 3500/2000 Hz	7000 Hz	0.04	± 100

EXCITATION:	15VDC
IMPEDANCE IN:	1300 Ω nom. typ.
IMPEDANCE OUT:	1500 Ω nom.
COMB. NON-LINEARITY & HYSTERESIS:	$\pm 1\%$
TRANSVERSE SENSITIVITY:	2% max
DAMPING RATIO AT 20°C (70°F):	0.7 nom. (0.5 to 0.9)
OVERRANGE STOPS:	Integral
THERMAL ZERO SHIFT:	± 1 mV/50°C (± 1 mV/100°F)
THERMAL SENSITIVITY SHIFT (TSS):	$\pm 2.5\%/50^\circ\text{C}$ ($\pm 2.5\%/100^\circ\text{F}$)
OPERATING TEMPERATURE:	-40°C to 120°C (-40°F to 250°F)
COMPENSATED TEMPERATURE:	20°C to 80°C (70°F to 170°F)
ZERO OFFSET AT 20°C (70°F):	± 15 mV typ.

Entran®



TITLE
EGAS3 ACCELEROMETERS
Triaxial Miniature
Rugged

Entran Devices, Inc.
FAIRFIELD, NJ, USA

SPECIFICATION NUMBER	ISSUE	PAGE
EGAS3S01U	PA1	1 of 2

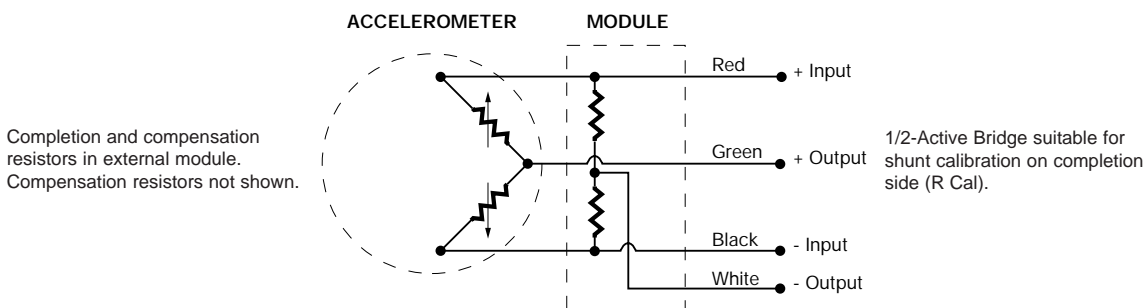
Options and Accessories (for all individual axes):

COMPENSATED TEMPERATURE RANGES:	STANDARD	= 20°C to 80°C (70°F to 170°F)
	Z1	= -20°C to 40°C (0°F to 100°F)
	Z2	= 0°C to 60°C (32°F to 140°F)
	Z4	= 40°C to 90°C (100°F to 200°F)
	Z*	= Non-standard, contact Entran
EXCITATION VOLTAGE:	STANDARD	= 15VDC
	V00	= Replace "00" with Excitation between 1 and 15. If less than 15, Sensitivity (FSO) will decrease accordingly.
	V*	= Non-standard Excitation with standard FSO and non-standard TSS, contact Entran.
SPECIAL LEAD LENGTH:	L00F	= Replace "00" with total length in feet.
	L00M	= Replace "00" with total length in meters.
CONNECTOR WIRED TO LEADS OR CABLE:	C	= Microtech type male (w/o mate)
	RS	= RJ Telephone type male for cable (w/o mate)
MATING CONNECTORS FOR CONNECTOR OPTIONS:	See Cable and Connector Bulletins	

Model Number construction:

EGAS3	-C	-	10	/50	/50	-	/Z1/L2M/RS
Series	Housings		Range X Axis	Range Y Axis	Range Z Axis		Options applied to all axes
EGAS3	-C, -CM		(For all axes if Y and Z are blank)				C or RS L00F or L00M V1 thru V15 or V* Z1,Z2,Z4, or Z*
<u>Mounting Blocks</u>							
MTG-F2							
MTG-F3							

Wiring for each separate axis:



Entran®	EGAS3 ACCELEROMETERS	SPECIFICATION NUMBER	ISSUE	PAGE
		EGAS3S01U	PA0	2 of 2