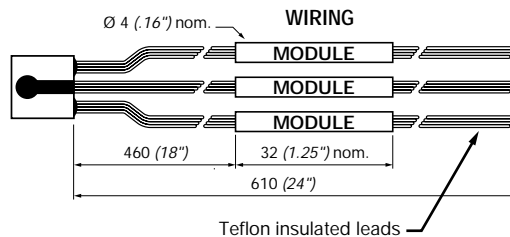
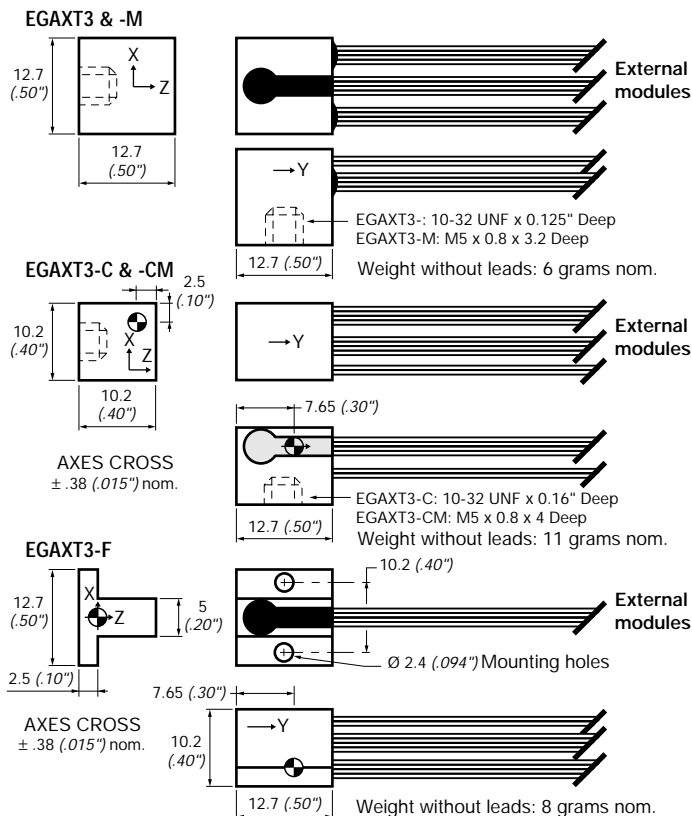


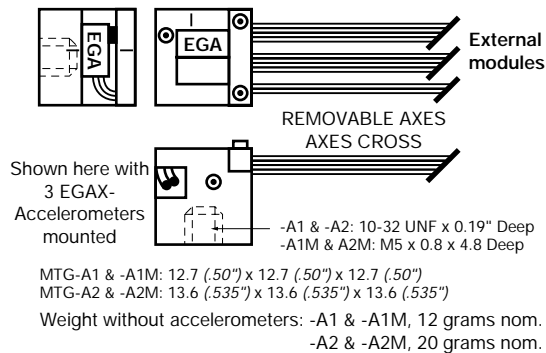
# Specifications



## TRIAxIAL EGAXT3, EGAXT3-C, EGAXT3-F, EGAXT3-M, MTG-A1 & MTG-A2



### TRIAxIAL MOUNTING BLOCK for up to 3 EGAX & EGAXT (Purchase accelerometers separately from mounting block)



MTG-A1 & -A1M: For single axis EGAXT-500 to -2500 or all EGAXT  
 MTG-A2 & -A2M: For single axis EGAXT-5 through -250

Dim: mm (inches)

## EGAXT3 Multiaxial Series - Specifications for each individual axis

g RANGES "FS"	g OVERRANGE LIMIT (Note 1)	FREQUENCY RESPONSE ±1/2dB nom./min.	NATURAL FREQUENCY nom.	SENSITIVITY mV/g nom.	OUTPUT "FSO" mV nom.
± 5	± 10000	0 to 250/120 Hz	500 Hz	7.5	± 38
± 10	± 10000	0 to 300/140 Hz	600 Hz	6	± 60
± 15	± 10000	0 to 450/220 Hz	900 Hz	4.5	± 68
± 25	± 10000	0 to 600/300 Hz	1200 Hz	3	± 75
± 50	± 10000	0 to 700/350 Hz	1400 Hz	2.25	± 110
± 100	± 10000	0 to 900/400 Hz	1700 Hz	1.5	± 150
± 250	± 10000	0 to 1000/500 Hz	2000 Hz	0.75	± 190
± 500	± 10000	0 to 1500/750 Hz	3000 Hz	0.5	± 250
± 1000	± 10000	0 to 2000/1000 Hz	4000 Hz	0.25	± 250
± 2500	± 10000	0 to 3000/1400 Hz	6000 Hz	0.1	± 250

Notes: 'Overrange for all 3 axes.

<b>EXCITATION:</b>	15VDC
<b>IMPEDANCE IN:</b>	1000 Ω nom. typ.
<b>IMPEDANCE OUT:</b>	450 Ω nom.
<b>NON-LINEARITY:</b>	± 1%
<b>TRANSVERSE SENSITIVITY:</b>	3% max.
<b>DAMPING RATIO AT 20°C (70°F):</b>	0.7 nom. (0.3 to 1)
<b>OVERRANGE STOPS:</b>	Built-in
<b>THERMAL ZERO SHIFT:</b>	±2.5mV/50°C (±2.5mV/100°F)
<b>THERMAL SENSITIVITY SHIFT (TSS):</b>	+1% to -4%/50°C (+1% to -4%/100°F)
<b>OPERATING TEMPERATURE:</b>	-40°C to 120°C (-40°F to 250°F)
<b>COMPENSATED TEMPERATURE:</b>	20°C to 80°C (70°F to 170°F)
<b>ZERO OFFSET AT 20°C (70°F):</b>	± 15mV typ.

Entran®



TITLE  
**EGAXT3 ACCELEROMETERS**  
 Triaxial Miniature  
 10,000g Overrange Stops

Entran Devices, Inc.  
 FAIRFIELD, NJ, USA

SPECIFICATION NUMBER	ISSUE	PAGE
EGAXT3S1U	P01	1 of 2

## Options and Accessories (for all individual axes):

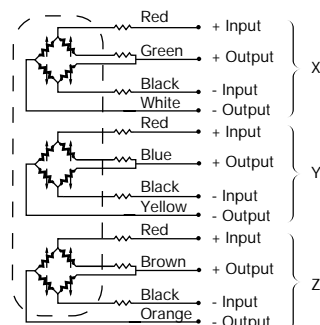
<b>COMPENSATED TEMPERATURE RANGES:</b>	<b>STANDARD</b>	<b>= 20°C to 80°C (70°F to 170°F)</b>
	Z1	= -20°C to 40°C (0°F to 100°F)
	Z2	= 0°C to 60°C (32°F to 140°F)
	Z4	= 40°C to 90°C (100°F to 200°F)
	Z*	= Non-standard, contact Entran
<b>5 WIRE BRIDGE WIRING FOR ADJUSTABLE ZERO OFFSET:</b>	5	= 5 Wire
<b>EXCITATION VOLTAGE:</b>	<b>STANDARD</b>	<b>= 15VDC</b>
	V00	= Replace "00" with Excitation between 1 and 15. If less than 15, Sensitivity (FSO) will decrease accordingly.
	V*	= Non-standard Excitation with standard FSO and non-standard TSS, contact Entran.
<b>SPECIAL LEAD LENGTH:</b>	L00F	= Replace "00" with total length in feet.
	L00M	= Replace "00" with total length in meters.
<b>SPECIAL MODULE LOCATION:</b>	M00F	= Replace "00" with distance between sensor and module in feet.
	M00M	= Replace "00" with distance between sensor and module in meters.
<b>CONNECTOR WIRED TO LEADS:</b>	C	= Microtech type male (w/o mate)
	R	= RJ Telephone type male (w/o mate)
<b>MATING CONNECTORS FOR CONNECTOR OPTIONS:</b>	See Cable and Connector Bulletins	

## Model Number construction:

<b>EGAXT3</b> Series	<b>-F</b> Housings	-	<b>10</b> <b>Range</b> <b>X Axis</b>	<b>/50</b> Range Y Axis	<b>/50</b> Range Z Axis	-	<b>/Z1/L2M/R</b> Options applied to all axes C or R L00F or L00M M00F or M00M V1 thru V15 or V* Z1,Z2,Z4, or Z* 5
EGAXT3	" "		<b>(For all axes if Y and Z are blank)</b>				
<u>Mounting Blocks</u> MTG-A1 & -A1M MTG-A2 & -A2M	-C, -CM -F -M						

## Wiring:

TRIAxIAL ACCELEROMETERS



Compensation resistors in external module

<b>Entran®</b>	<b>EGAXT3 ACCELEROMETERS</b>	SPECIFICATION NUMBER	ISSUE	PAGE
		EGAXT3S1U	P00	2 of 2